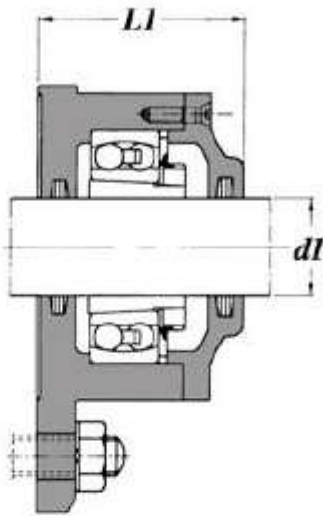


Housing for shaft end. Gehäuse für Wellenende
A Type

Housing Numbers	Shaft Dia. $d1$	D	L	$L1$	C	K	F	H	HI	m	a
722505	20	52	51.5	56.5	10	15	75	100	38	96	110
722506	25	62	57	59.5	12	16	86	117	44	116	130
722507	30	72	59.5	63.5	12	16	97	130	48.5	130	145
722508	35	80	64	65.5	12	17	108	143	54	140	160
722509	40	85	64.5	69.5	12	19	113	160	60	160	180
722510	45	90	68.5	73	15	22	118	160	60	160	180
722511	50	100	75.5	81.5	15	24	128	172	65	170	192
722512	55	110	77	82	15	23	142	189	72	180	210
722513	60	120	80	86	15	22	152	203	78	190	225



Housing for through shaft. für durchgehende Welle

B Type

Unit: mm

<i>S Bolt</i>	<i>Mass kg</i>	<i>Bearing No.</i>		<i>Adapter Sleeve</i>	<i>Locating Ring</i>		<i>Felt Seal</i>	<i>Caps Screw</i>	<i>Housing Numbers</i>
		<i>Self-Alig. Ball</i>	<i>Spherical Roller</i>		<i>Numbers</i>	<i>Q'ty</i>			
M10	1.1	1205 K	22205 K	H 205	SR 52 x 5	1	FS 05	M5 x 16	722505
		2205 K		H 305	SR 52 x 2	1			
M10	1.5	1206 K	22206 K	H 206	SR 62 x 6	1	FS 06	M5 x 16	722506
		2206 K		H 306	SR 62 x 2	1			
M12	1.8	1207 K	22207 K	H 207	SR 72 x 8	1	FS 07	M5 x 16	722507
		2207 K		H 307	SR 72 x 2	1			
M12	2.3	1208 K	22208 K	H 208	SR 80 x 7	1	FS 08	M5 x 16	722508
		2208 K		H 308	SR 80 x 2	1			
M12	3	1209 K	22209 K	H 209	SR 85 x 6	1	FS 09	M6 x 20	722509
		2209 K		H 309	SR 85 x 2	1			
M12	3	1210 K	22210 K	H 210	SR 90 x 5	1	FS 10	M6 x 20	722510
		2210 K		H 310	SR 90 x 2	1			
M12	4.1	1211 K	22211 K	H 211	SR100 x 6	1	FS 11	M6 x 20	722511
		2211 K		H 311	SR100 x 2	1			
M12	4.8	1212 K	22212 K	H 212	SR110 x 8	1	FS 12	M6 x 20	722512
		2212 K		H 312	SR110 x 2	1			
M12	5.9	1213 K	22213 K	H 213	SR120 x 10	1	FS 13	M6 x 20	722513
		2213 K		H 313	SR120 x 2	1			